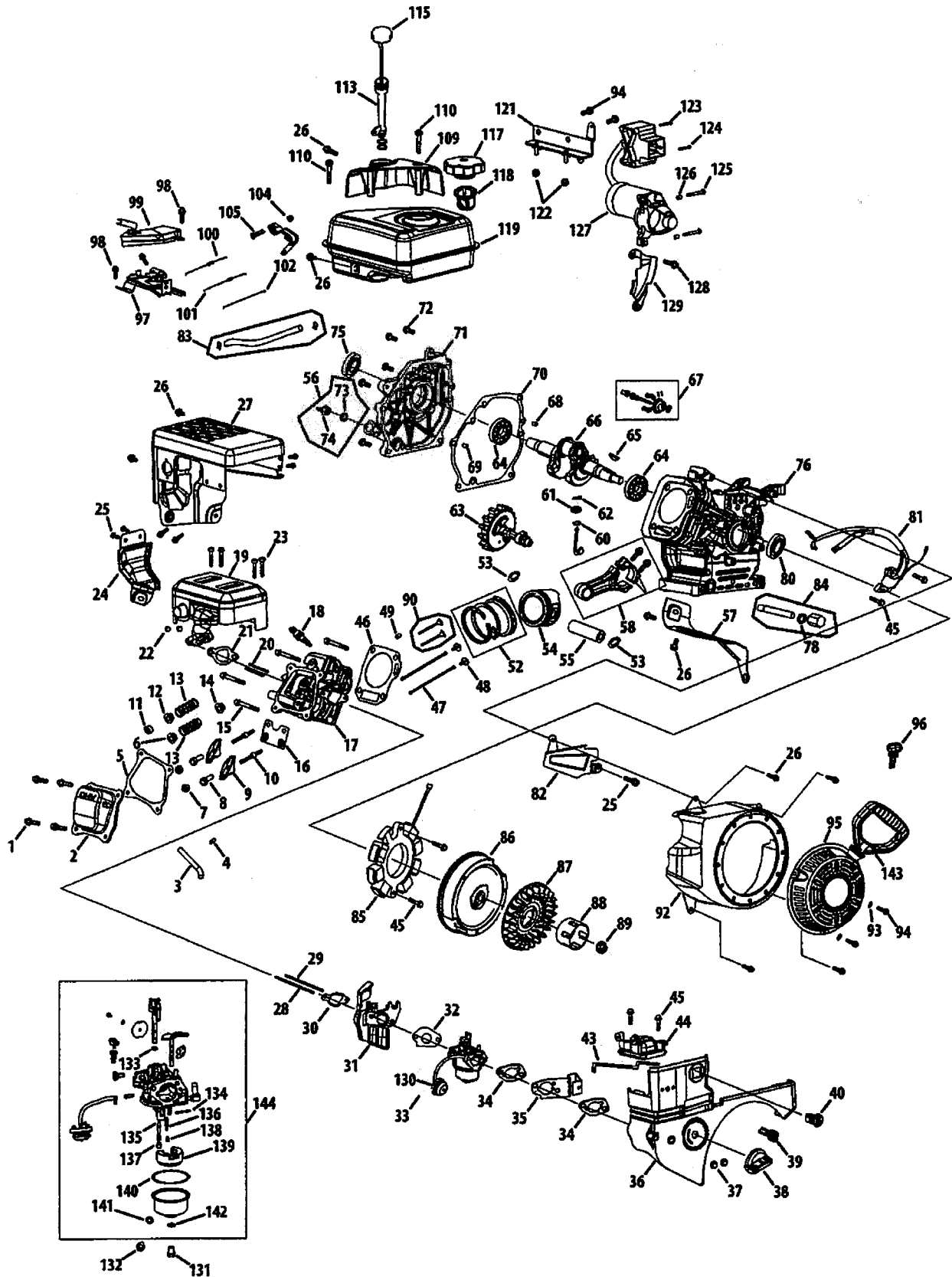


208 cc ZS 370-SUB Engine



208 cc ZS 370-SUB Engine

| Ref. No. | Part No. | Description | Ref. No. | Part No. | Description |
|----------|------------|------------------------|----------|------------|---------------------------------|
| 1 | 951-11012 | Bolt | 72 | 710-04932 | Bolt |
| 2 | 951-11054 | Valve Cover | 75 | 751-11368 | Oil Seal |
| 3 | 731-07059 | Breather Hose | 78 | 736-04440 | Washer |
| 4 | 726-04101 | Hose Clamp | 80 | 751-11370 | Oil Seal |
| 7 | 751-11124 | Pivot Locking Nut | 81 | 951-10646 | Ignition Coil |
| 8 | 751-11123 | Valve Adjusting Nut | 82 | 951-11110 | Air Flow Shield |
| 10 | 710-04902 | Pivot Bolt | 83 | 951-10650 | Fuel Line Kit |
| 15 | 710-04933 | Bolt | 84 | 951-10641 | Oil Drain Assembly, includes 78 |
| 18 | 951-10292 | Spark Plug | 85 | 951-10719 | Stator |
| 19 | 951-11282 | Muffler Assembly | 86 | 951-10805 | Flywheel |
| 20 | 710-05001 | Stud | 87 | 951-10909 | Cooling Fan |
| 21 | 751-11289 | Muffler Gasket | 88 | 951-10911 | Starter Cup |
| 22 | 712-04214 | Nut | 89 | 712-04209 | Nut |
| 23 | 710-05002 | Bolt | 90 | 951-10647 | Valve Kit |
| 24 | 951-11111 | Exhaust Pipe Shield | 92 | 951-10663A | Blower Housing |
| 25 | 710-04940 | Bolt | 93 | 736-04455 | Washer |
| 26 | 710-04915 | Bolt | 94 | 710-04914 | Bolt |
| 27 | 951-10642A | Muffler Shroud | 95 | 951-10658 | Recoil Starter Assembly |
| 28 | 710-04939 | Stud, M6 x117 | 96 | 731-05632 | Ignition Key |
| 29 | 710-04910 | Stud, M6 x 105 | 97 | 951-10758 | Throttle Control Assembly |
| 33 | 951-10638 | Carburetor Assembly | 98 | 710-04928 | Bolt |
| 35 | 951-11112 | Choke Control Bracket | 99 | 951-11108 | Governor Shield |
| 36 | 951-10634 | Engine Shroud | 100 | 951-10654 | Governor Spring |
| 37 | 712-04213 | Nut | 101 | 951-10664 | Throttle Return Spring |
| 38 | 951-11284 | Choke Knob | 102 | 951-10665 | Governor Rod |
| 39 | 951-10757 | Throttle Control Knob | 104 | 712-04216 | Nut |
| 40 | 951-10637 | Ignition Switch | 105 | 710-04929 | Bolt |
| 43 | 951-10640 | Choke Push Rod | 109 | 951-10662 | Engine/Dipstick Cover |
| 44 | 951-10635 | Heater Box | 110 | 710-04905 | Bolt |
| 45 | 710-04919 | Bolt | 113 | 951-10656 | Dipstick Tube |
| 47 | 951-10648 | Push Rod Kit | 115 | 951-10655 | Dipstick |
| 49 | 715-04090 | Dowel Pin | 117 | 951-10649 | Fuel Cap Assembly |
| 56 | 951-11283 | Oil Fill Plug Assembly | 118 | 951-10652 | Fuel Filter |
| 57 | 951-11113 | Air Shield | 119 | 951-10653A | Fuel Tank |
| 59 | 751-11356 | Governor Shaft | 121 | 951-11114 | Switch Housing Mounting Bracket |
| 60 | 736-04461 | Washer | 122 | 712-04212 | Nut |
| 62 | 714-04078 | Cotter Pin | 123 | 710-04934 | Bolt, M4 x 55 |
| 64 | 751-11369 | Bearing | 124 | 710-04935 | Bolt, M4 x 60 |
| 65 | 951-10307 | Flywheel Key | 125 | 710-04943 | Bolt |
| 68 | 715-04092 | Dowel Pin, 7 x 14 | 126 | 715-04088 | Dowel Pin |
| 69 | 715-04089 | Dowel Pin, 9 x 14 | 127 | 951-10645A | Electric Starter |
| 70 | 751-11371 | Crankcase Cover Gasket | 128 | 710-05003 | Bolt |

208 cc ZS 370-SUB Engine

| Ref. No. | Part No. | Description |
|----------|-------------|------------------------------|
| 129 | 951-11109 | Blower Housing Shield |
| 130 | 951-10639 | Primer |
| 131 | 710-04945 | Bolt |
| 132 | 710-04938 | Drain Bolt |
| 143 | 731-05696 | Starter Handle |
| — | 951-10651 | Fuel Tank Nipple (Not Shown) |
| — | 952Z370-SUB | Engine, Complete |
| 20 | 951-10657 | Muffler Stud Assembly |
| 20 | 710-05001 | Stud |
| 33 | 951-10638 | Carburetor Assembly |
| 130 | 951-10639 | Primer |
| 56 | 951-11283 | Oil Fill Plug Assembly |
| 73 | — | O-Ring |
| 74 | — | Oil Filler Plug |
| 144 | 951-11021 | Carburetor Kit, Major |
| 33 | 951-10638 | Carburetor Assembly |
| 130 | 951-10639 | Primer |
| 131 | 710-04945 | Bolt |
| 132 | 710-04938 | Drain Bolt |
| 133 | — | Gasket, Throttle Plate |
| 134 | — | Float Pin |
| 135 | — | Emulsion Tube |
| 136 | — | Needle Valve |
| 137 | — | Main Jet |
| 138 | — | Needle Valve Spring |
| 139 | — | Float |
| 140 | — | Fuel Bowl Gasket |
| 141 | — | Fuel Drain Plug Gasket |
| 142 | — | Fuel Bowl Gasket |
| — | 951-10661B | Gasket Kit, External |
| 5 | — | Head Cover Gasket |
| 21 | 951-10666 | Muffler Gasket |
| 30 | — | Carburetor Insulator Gasket |
| 31 | — | Carburetor Insulator Plate |
| 32 | — | Carburetor Gasket |
| 34 | — | Carburetor Gasket Plate |
| — | 951-11247 | Crankshaft Kit |
| 64 | 751-11369 | Radial Ball Bearing |
| 65 | 951-10307 | Flywheel Key |
| 66 | — | Crankshaft |
| 75 | 751-11368 | Oil Seal |
| 80 | 751-11370 | Oil Seal |

| Ref. No. | Part No. | Description |
|----------|------------|--------------------------------|
| — | 951-11246 | Crankcase Cover Kit |
| 64 | 751-11369 | Radial Ball Bearing |
| 70 | 751-11371 | Crankcase Cover Gasket |
| 71 | — | Case Cover |
| 72 | — | Cover Bolts |
| 73 | — | O-Ring |
| 74 | — | Oil Fill Plug |
| 75 | 751-11368 | Oil Seal |
| — | 751-11060A | Short Block Assembly |
| 5 | — | Head Cover Gasket |
| 21 | 751-11289 | Muffler Gasket |
| 30 | — | Carburetor Insulator Gasket |
| 31 | — | Carburetor Insulator Plate |
| 46 | — | Cylinder Head Gasket |
| 48 | — | Tappet |
| 49 | 715-04090 | Dowel Pin |
| 52 | — | Piston Ring Set |
| 53 | — | Piston Pin Snap Ring |
| 54 | — | Piston |
| 55 | — | Piston Pin |
| 58 | — | Connecting Rod Assembly |
| 60 | 736-04461 | Washer |
| 61 | — | Governor Seal |
| 62 | 714-04078 | Cotter Pin |
| 63 | — | Camshaft Assembly |
| 64 | 751-11369 | Radial Ball Bearing |
| 65 | 951-10307 | Flywheel Key |
| 66 | — | Crankshaft Assembly |
| 67 | — | Governor Gear/Shaft Assembly |
| 68 | 715-04092 | Dowel Pin |
| 69 | 715-04089 | Dowel Pin |
| 70 | 751-11371 | Crankcase Cover Gasket |
| 71 | — | Cover Complete, Left Crankcase |
| 72 | 710-04932 | Bolt |
| 73 | — | O-Ring |
| 74 | — | Oil Filler Plug |
| 75 | 751-11368 | Oil Seal |
| 76 | — | Crankcase |
| 78 | 736-04440 | Washer |
| 80 | 751-11370 | Oil Seal |

208 cc ZS 370-SUB Engine

| Ref. No. | Part No. | Description |
|----------|------------|-----------------------------|
| — | 951-10668A | Cylinder Head Assembly |
| 5 | — | Head Cover Gasket |
| 6 | — | Intake Valve Spring Seat |
| 7 | 751-11124 | Pivot Locking Nut |
| 8 | 751-11123 | Valve Adjusting Nut |
| 9 | — | Rocker Arm |
| 10 | 710-04902 | Pivot Bolt |
| 11 | — | Exhaust Valve Adjuster |
| 12 | — | Exhaust Valve Spring Seat |
| 13 | — | Valve Spring |
| 14 | — | Intake Valve Seal |
| 15 | 710-04933 | Bolt |
| 16 | — | Push Rod Guide Plate |
| 17 | — | Cylinder Head - Complete |
| 21 | 751-11289 | Muffler Gasket |
| 30 | — | Carburetor Insulator Gasket |
| 31 | — | Carburetor Insulator Plate |
| 46 | — | Cylinder Head Gasket |
| 90 | 951-10647 | Valve Kit |
| — | 951-11063 | Valve Cover Kit |
| 2 | 951-11054 | Valve Cover |
| 5 | — | Head Cover Gasket |

| Ref. No. | Part No. | Description |
|----------|------------|-----------------------------|
| — | 751-11059A | Gasket Kit, Complete |
| 5 | — | Head Cover Gasket |
| 21 | 751-11289 | Muffler Gasket |
| 30 | — | Carburetor Insulator Gasket |
| 31 | — | Carburetor Insulator Plate |
| 32 | — | Carburetor Gasket |
| 34 | — | Carburetor Gasket Plate |
| 46 | — | Cylinder Head Gasket |
| 60 | 736-04461 | Washer |
| 61 | — | Governor Seal |
| 62 | 714-04078 | Cotter Pin |
| 70 | 751-11371 | Crankcase Cover Gasket |
| 75 | 751-11368 | Oil Seal |
| 80 | 751-11370 | Oil Seal |
| — | 951-11249 | Crankcase Kit |
| 61 | — | Governor Seal |
| 64 | 751-11369 | Radial Ball Bearing |
| 70 | 751-11371 | Crankcase Gasket |
| 76 | — | Crankcase |
| 80 | 751-11370 | Oil Seal |